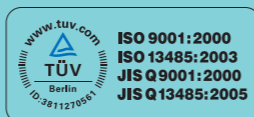




MobileArt Evolution

Mobile X-Ray System



Founded in 1875, Shimadzu Corporation, a leader in the development of advanced technologies, has a distinguished history of innovation built on the foundation of contributing to society through science and technology. We maintain a global network of sales, service, technical support and applications centers on six continents, and have established long-term relationships with a host of highly trained distributors located in over 100 countries. For information about Shimadzu, and to contact your local office, please visit our Web site at www.shimadzu.com

Shimadzu Corporation Medical Systems Group has been certified by TÜV Rheinland as a manufacturer of medical equipment and systems in compliance with ISO9001:2000 Quality Management Systems and ISO13485:2003 Medical Equipment Quality Management Systems.

Remarks:

- ※ Every value in this catalogue is a standard value, and it may vary a little from the actual at each site.
- ※ The appearances and specifications are subject to change for reasons of improvement without notice.
- ※ Certain configurations may not be available pending regulatory clearance. Contact your Shimadzu representative for information on specific configurations.
- ※ Before operating this system, you should first thoroughly review the Instruction Manual.



SHIMADZU CORPORATION. International Marketing Division

3. Kanda-Nishikicho 1-chome, Chiyoda-ku, Tokyo 101-8448, Japan

Phone: 81(3)3219-5641 Fax: 81(3)3219-5710

URL <http://www.shimadzu.com>

MobileArt Evolution

The Advent of an Advanced Mobile System Featuring Superb Image Quality and Easy Handling

Modern medical facilities require rapid examinations under a variety of situations.

This newly launched, state-of-the-art mobile system is available in two forms:

the standard type, which further enhances the highly-acclaimed maneuverability and easy handling of Shimadzu mobile systems and the high-power type, with 32 kW maximum power output for superior image quality.

This high-power type ensures blur-free images and short exposure times, even for children and patients who find it difficult to keep still.

The system provides powerful support in medical facilities, thanks to easy positioning in restrictive locations, and outstanding operability, which allows intuitive movement of the unit by the operator.

This is truly a reliable mobile system.



Excellent Performance Supports Easier Ward Radiography

Stylish and Brilliant Driving

This stylish and compact instrument design is reassuring to hospital patients.

The swan-shaped body features a bright, fresh contrast of gentle colors that imparts a clean, relaxed feeling.



Great Image Quality You Can Trust

High image quality at the optimal instant, even with patients who are unable to maintain a fixed posture

Blurring suppressed by short exposure time

Images tend to become blurred due to body movements during radiography, especially with children or emergency patients who find it difficult to maintain a fixed posture. The MobileArt Evolution lineup features a high-power type that reduces exposure times. The 32 kW maximum power output delivers excellent image quality and short exposure times. This ensures sharp images with minimal blurring, even if the patient moves.

High-Power Type

Max. output **32 kW**

Short exposure times

*) Maximum output of the standard type is 12.5 kW.

Inverter frequency	Max. 60 kHz
Tube voltage	Max. 133 kV
Tube current-time product	Max. 320 mAs

*) Maximum tube voltage of the standard type is 125 kV.

APR buttons for one-touch setup of radiography conditions



Simply select one of the 72 preset anatomical programs (APR) to configure the optimal radiography conditions for the corresponding radiography region, direction, and body thickness. The focal spot size can also be preset in the high-power type. The collimator efficiently eliminates X-rays outside of the focal spot, creating sharper images.

APR

8 ×
 3 ×
 3 =
 72

Regions
Directions
Body thicknesses
Programs

Clear illuminated indication of exposure timing

Both Ready Up and Exposure statuses, which largely control the exposure timing, are indicated by the brightly illuminated, easy to read indicators. The exposure field lamp also lights up again in the Ready Up status. The exposure timing can thus be accurately confirmed at a distance from the unit, allowing the operator to instruct the patient when to hold their breath.



Illuminated hand switch Option

The optional illuminated hand switch lights up in different colors to show the Ready Up or Exposure status, providing a clear indication of the exposure timing.



Brilliant Driving and Outstanding Operability

Reliable basic functionality delivers superb performance



Low driving noise, ensuring quiet hospital environments

The new silent motor and enhanced unit rigidity further reduce driving noise. Quiet enough for ward radiography even at night.

Intuitive maneuverability

Shimadzu's acclaimed power-assist function allows the operator to drive the MobileArt Evolution naturally, simply by applying light pressure to the drive handle. The unit moves just as the operator desires, achieving excellent handling when navigating around the wards. The MobileArt Evolution provides unrivalled turning and maneuverability.



Safety alarm when driving

To avoid accidents when maneuvering the MobileArt Evolution around crowded medical facilities, an alarm can be used while in motion to alert others to the presence of the unit.

Shock-resistant body design

The body cover has been strengthened to prevent damage should the unit hit an object when moving around the wards. The unique soft-touch bumper automatically stops the unit when even the slightest pressure is detected. The stylish body is designed to be highly shock-resistant.

Inch-mover buttons

Press the inch-mover buttons on the front of the collimator to inch the unit backwards or forwards. As a safety measure, any force applied to the drive handle during inch-mover operations stops movement of the unit. In addition, an interlock prevents X-ray irradiation while the MobileArt Evolution is in motion.

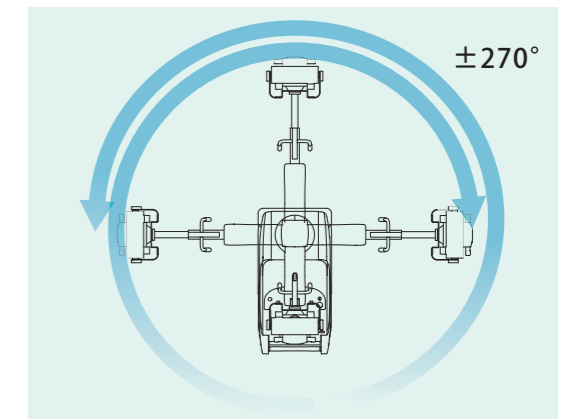
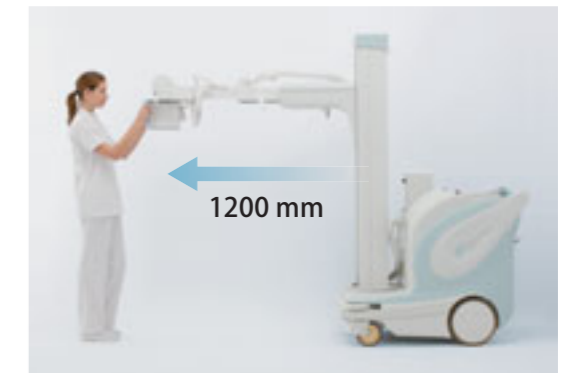


Easy positioning

The counterbalance system ensures smooth operation and accurate positioning. It easily supports fine positioning and multidirectional radiography.

Wide imaging range

The extra-long 1200 mm maximum arm can freely rotate to provide coverage over an extensive imaging range. This provides powerful support for radiography in confined spaces around beds.



All Free buttons

Press one of the [All Free] buttons to release all electromagnetic locks on arm rotation, arm extension, and vertical movement of the X-ray tube. An [All Free] button is also located on the arm, to allow column-side positioning as well as from the collimator.



Adjustable drive handle height

Option

During installation, the drive handle can be set at 4 cm, 6 cm, or 9 cm above the standard height. This makes ward radiography tasks more comfortable for tall operators.





Striving for Lower X-Ray Exposure Dose

Enhancing patient peace of mind

Extra Convenience

Great features help to overcome the restrictions of ward radiography

Emergency radiography when the battery is low

The MobileArt Evolution permits radiography in emergencies, even if the battery has run low. It enables emergency radiography even before recharging the battery.

Additional hand switch

Option

To permit improved patient care, an extra illuminated hand switch can be installed on the front of the unit (column side).



Keyless access

Option

Setting passwords for each operator allows them to use the system without a key.

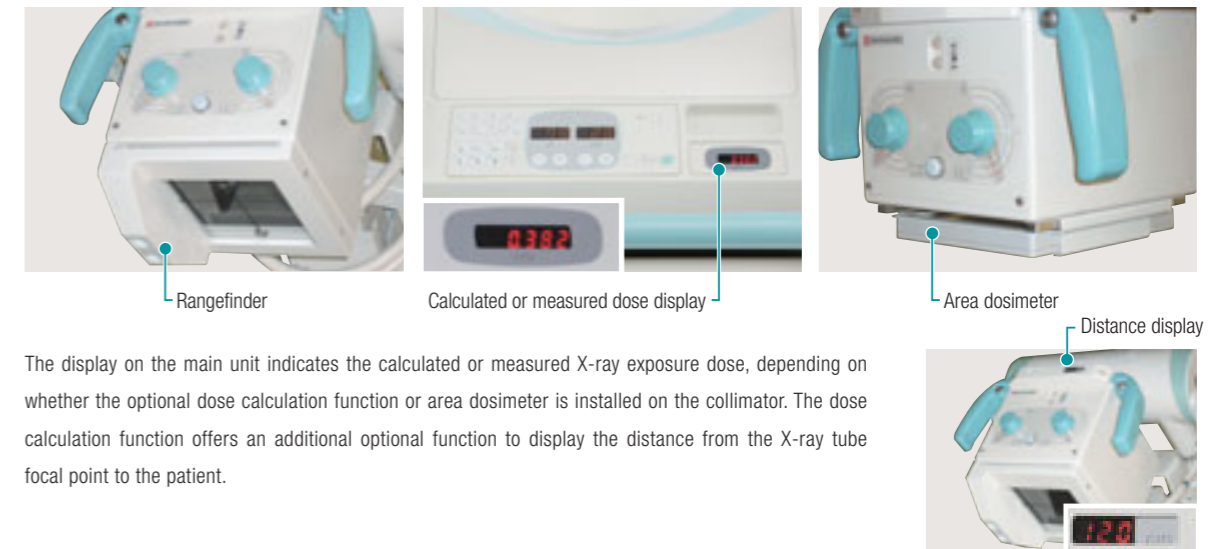


Illuminated indicator supports remote operation

The Ready Up or Exposure status is clearly indicated by the color of the illuminated indicator on the front of the collimator. The optional illuminated hand switch also indicates the status. This unique function allows the operator to instruct the patient when to hold their breath when operating the MobileArt Evolution remotely, as frequently occurs in ward radiography.

X-ray exposure dose display

Option



The display on the main unit indicates the calculated or measured X-ray exposure dose, depending on whether the optional dose calculation function or area dosimeter is installed on the collimator. The dose calculation function offers an additional optional function to display the distance from the X-ray tube focal point to the patient.

Options

Radiation shield (folding type)



In use

Folded away

Remote controller



The infrared remote controller allows remote exposure, reducing the operator's exposure to X-rays.

Grid case



Accommodates two grid holders.
*) Cannot be used in combination with the large cassette box.

Large cassette box



Holds 15 14" × 17" cassettes

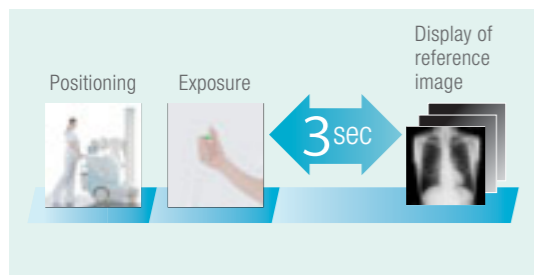


Upgrade to FPD Mobile System

Options for high-power type only

Mount a 14" × 17" FPD or compact FPD
Verify images just 3 seconds after exposure

Upgrade to a flat panel detector (FPD) to display images just three seconds after exposure. This allows any information required for the next procedure to be obtained quickly in the emergency room.



Portable 14" × 17" with large field of view

Field size 35 cm × 43 cm



Compact FPD for pediatrics

Field size 23 cm × 28 cm



Upgrading to an FPD eliminates the need to switch cassettes and read imaging plates

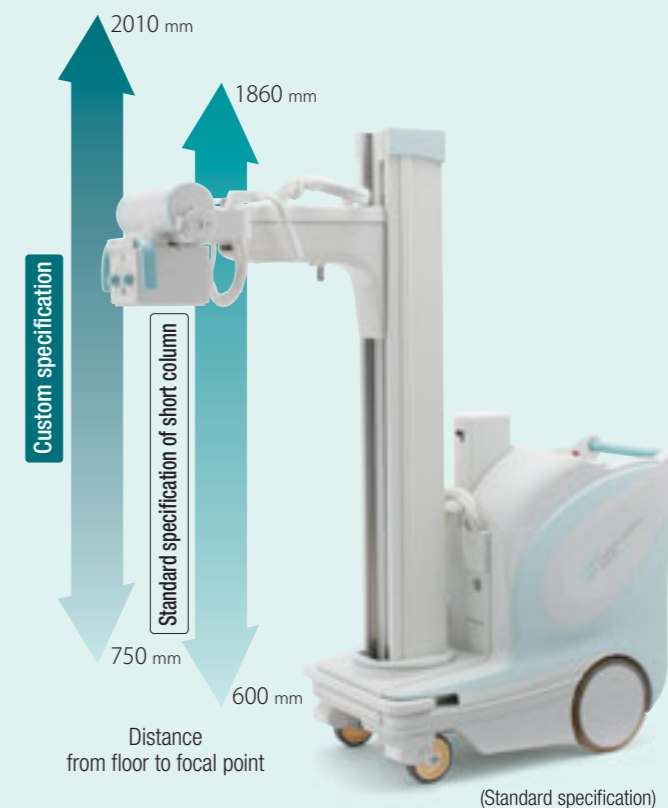
Installing an FPD eliminates the need to switch cassettes or read imaging plates. No more burdening the patient while switching cassettes.

Product Lineup and Specifications

A custom specification version is available to provide a higher focal-point position with a short column

High-focal-point arm specification

Custom specification



Flexible choices for you:

Column Height
198 cm (Standard) or 178 cm (Short) or 178 cm (Short) + Extension

×

Generator Power
32 kW (+ DR Upgradeability) or 12.5 kW

External Dimensions (mm)

