

Systems Fixed Focal Distance



System S1 F



System S2 F

www.sedec.com

SPECIFICATIONS

High Frequency X-ray Generators

MODEL	S1/S2 F - 16	S1/S2 F - 20	S1/S2 F - 32
CONSTANT POTENTIAL POWER RATINGS (*)	16 KW	20 KW	32 KW
kVp RANGE in 1 kVp STEPS ACCURACY	40 a 125 ±(3%+1kV)		
mA STATIONS	10, 12.5, 16, 20, 25, 32, 40, 50, 64, 80, 100, 125, 160, 200	10, 12.5, 16, 20, 25, 32, 40, 50, 64, 80, 100, 125, 160, 200, 250, 320	10, 12.5, 16, 20, 25, 32, 40, 50, 64, 80, 100, 125, 160, 200, 250, 400
ACCURACY	±(4%+1 mA)	±(4%+1 mA)	±(4%+1 mA)
EXPOSURE TIME RANGE	0.001 - 10 seconds		
ACCURACY	(2%+0.1 ms)		
mAs RANGE	0.1 - 500 mAs		
AUTOMATIC EXPOSURE CONTROL (A.E.C.)	OPTIONAL		
DEDICATED ANATOMICAL PROGRAMER (APR) FOR VETERINARIANS	STANDARD - (330 ANATOMICAL VIEWS)		
X-RAY TUBE - ROTATING ANODE (2,850 r.p.m.) (50 Hz) (3,300 r.p.m.) (60 Hz)	FOCAL SPOTS: 1.0/2.0 mm		
LINE VOLTAGE / PHASES	208-240 Vac (+/-10%) - Single or Three phase 400-480 Vac (+/- 10%) - Three phase 50-60 Hz		
FOOTPRINT	2.6 m ² (EQUIPMENT + ACCESS AREA) (28 sq. Ft.)		
TOTAL WEIGHT (X-ray Generator included)	220 Kg (485 lb.)		
WAL MOUNTING / PEDESTAL CONSOLE	OPTIONAL		
RECIPROCATING BUCKY	OPTIONAL		
FLUOROSCOPY	N.D.	OPTIONAL	OPTIONAL

(*) x-ray Generators available at 40 KW, 50 kW, 64 KW and 80 KW power levels.

Systems Fixed Focal Distance



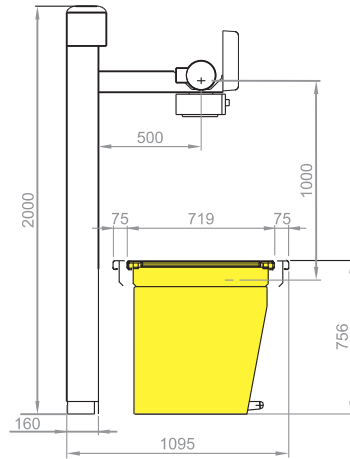
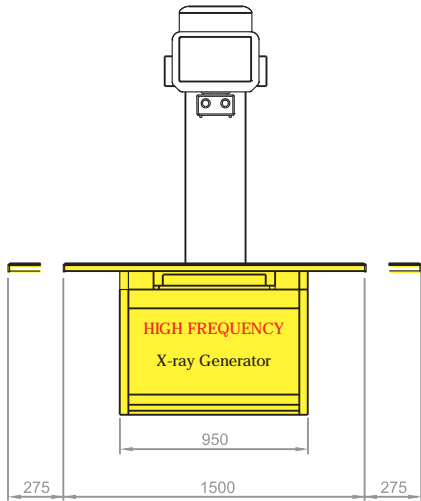
System S1 F



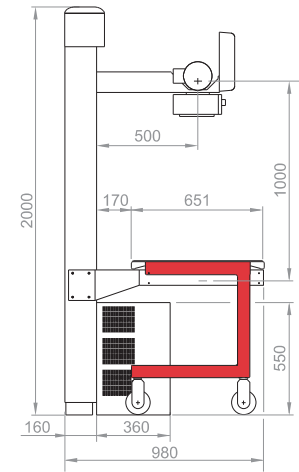
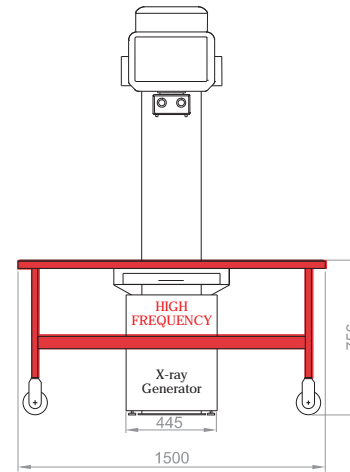
System S2 F

Dimensions

System S1 F



System S2 F



OPTIONS

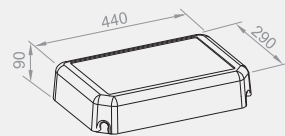
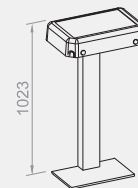


TABLE TOP/WALL MOUNTING
CONSOLE



PEDESTAL CONSOLE

Specifications subject to change without prior notice

